

**MATERIAL**

AISI 303 stainless steel, hexagon socket head.

**FEATURES AND APPLICATIONS**

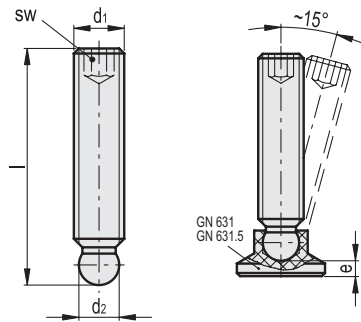
GN 632.5 grub screws can be used to realize different locking systems. On irregular or non-parallel surfaces, we suggest to couple them with technopolymer thrust pads GN 631 (see page 862) which allow the locking preventing the rotating movement of the screw from being exerted directly on the piece to be locked, protecting it from possible scratches.

Levers, knobs or other handles can be also fitted to the threaded end by means of pins.

Diameter "d1" of the ball is smaller than diameter "d" of the screw, which allows the screwing from the spherical side.

**SPECIAL EXECUTIONS ON REQUEST**

Different threadings and lengths.



Code	Description	d1	d2	l	sw	d1-e*	d1-e*	d1-e*	d1-e*	d1-e*	d1-e*	⚖️
GN.12253	GN 632.5-M6-30	M6	4.5±0.025	30	3	15-3.6	18-5.2	21-6	25-6.5	32-7	-	5
GN.12255	GN 632.5-M6-40	M6	4.5±0.025	40	3	15-3.6	18-5.2	21-6	25-6.5	32-7	-	8
GN.12257	GN 632.5-M6-50	M6	4.5±0.025	50	3	15-3.6	18-5.2	21-6	25-6.5	32-7	-	10
GN.12263	GN 632.5-M8-40	M8	6.1+0.05	40	4	15-2.5	18-4.2	21-5	25-5.5	32-6	40-8	12
GN.12265	GN 632.5-M8-50	M8	6.1+0.05	50	4	15-2.5	18-4.2	21-5	25-5.5	32-6	40-8	15
GN.12267	GN 632.5-M8-63	M8	6.1+0.05	63	4	15-2.5	18-4.2	21-5	25-5.5	32-6	40-8	19
GN.12273	GN 632.5-M10-50	M10	7.8+0.05	50	5	18-3.8	21-4.3	25-4.6	32-5	40-7	-	22
GN.12275	GN 632.5-M10-63	M10	7.8+0.05	63	5	18-3.8	21-4.3	25-4.6	32-5	40-7	-	29
GN.12277	GN 632.5-M10-80	M10	7.8+0.05	80	5	18-3.8	21-4.3	25-4.6	32-5	40-7	-	37
GN.12283	GN 632.5-M12-63	M12	9.4+0.05	63	6	21-3.4	25-3.6	32-4.2	40-6.2	-	-	41
GN.12285	GN 632.5-M12-80	M12	9.4+0.05	80	6	21-3.4	25-3.6	32-4.2	40-6.2	-	-	53
GN.12287	GN 632.5-M12-100	M12	9.4+0.05	100	6	21-3.4	25-3.6	32-4.2	40-6.2	-	-	68

\* The values refer to GN 631 and GN 631.5